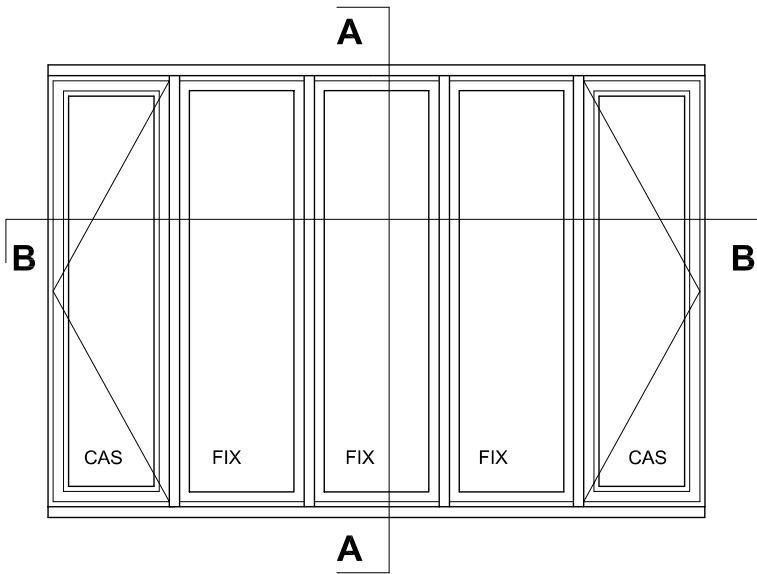


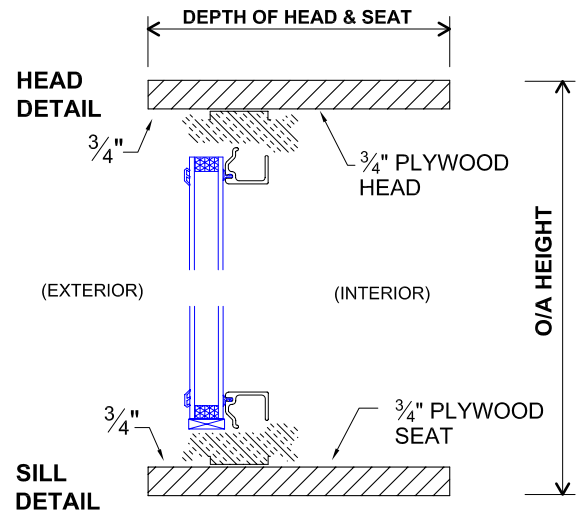
BOW WINDOW

SECTION DETAILS

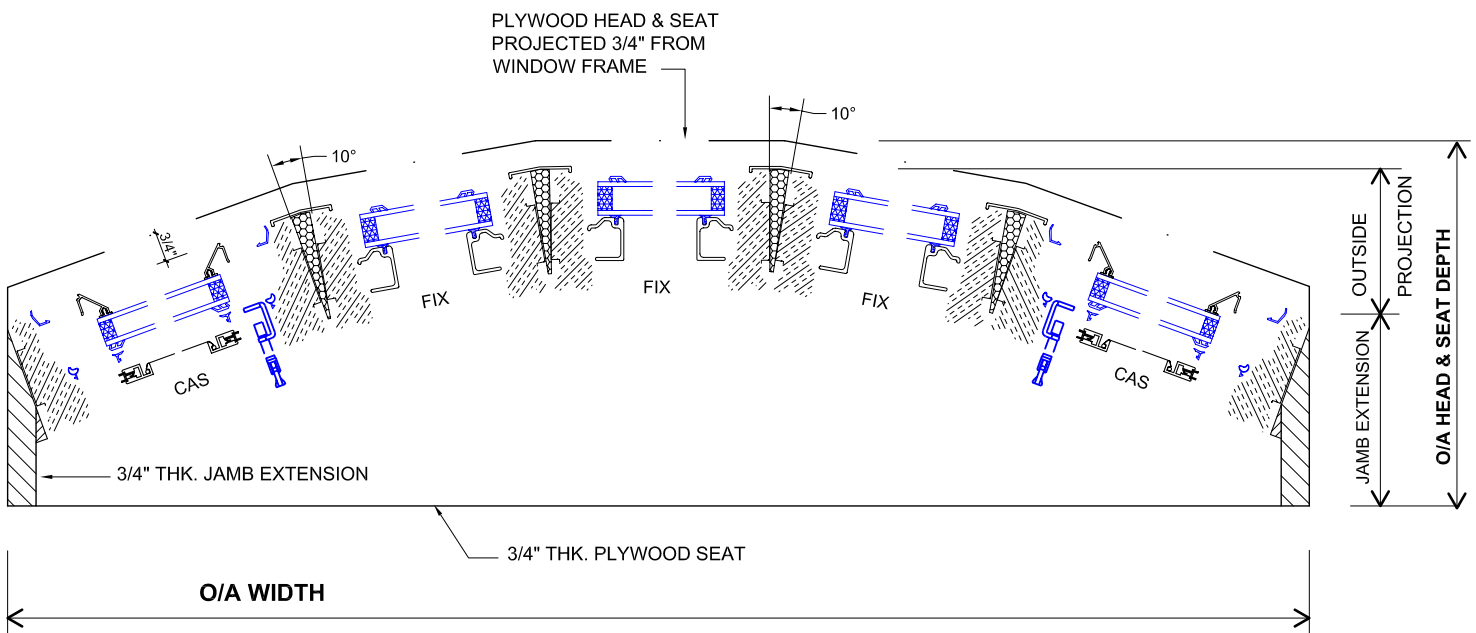


BOW WINDOW

(EXTERIOR VIEW)



SECTION A - A



PLAN - SECTION B-B