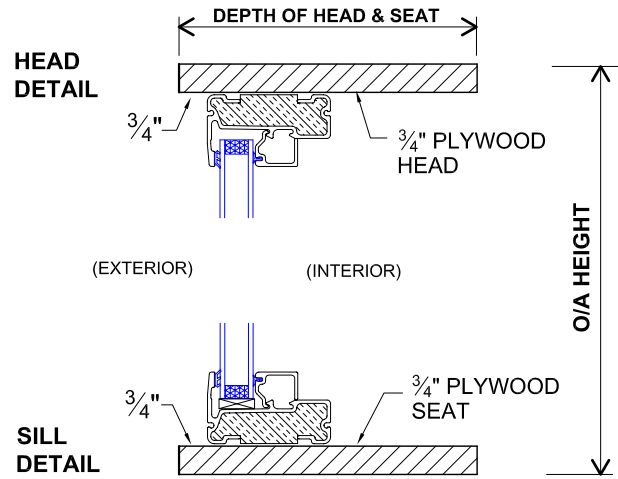
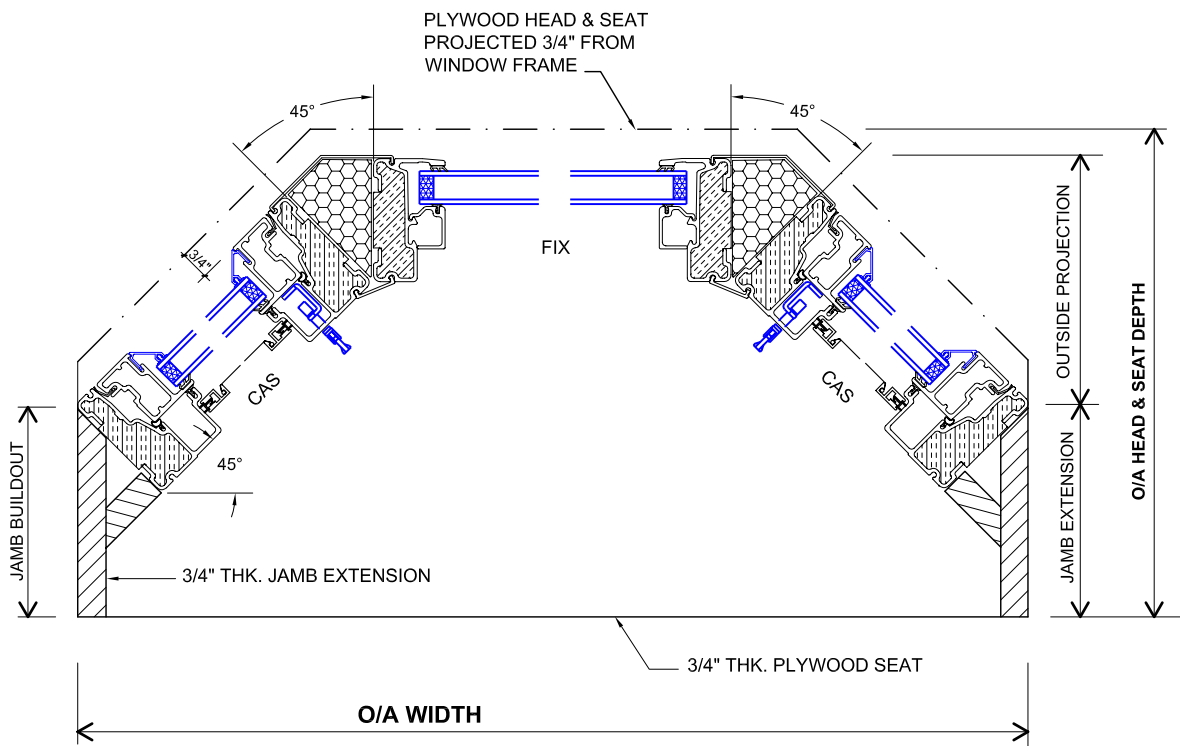


BAY WINDOW

(EXTERIOR VIEW)



SECTION A - A



PLAN - SECTION B-B