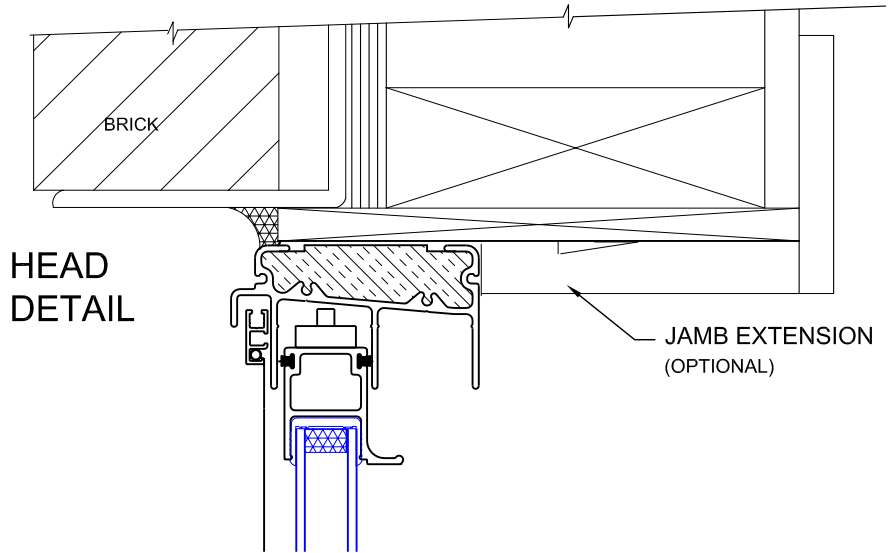
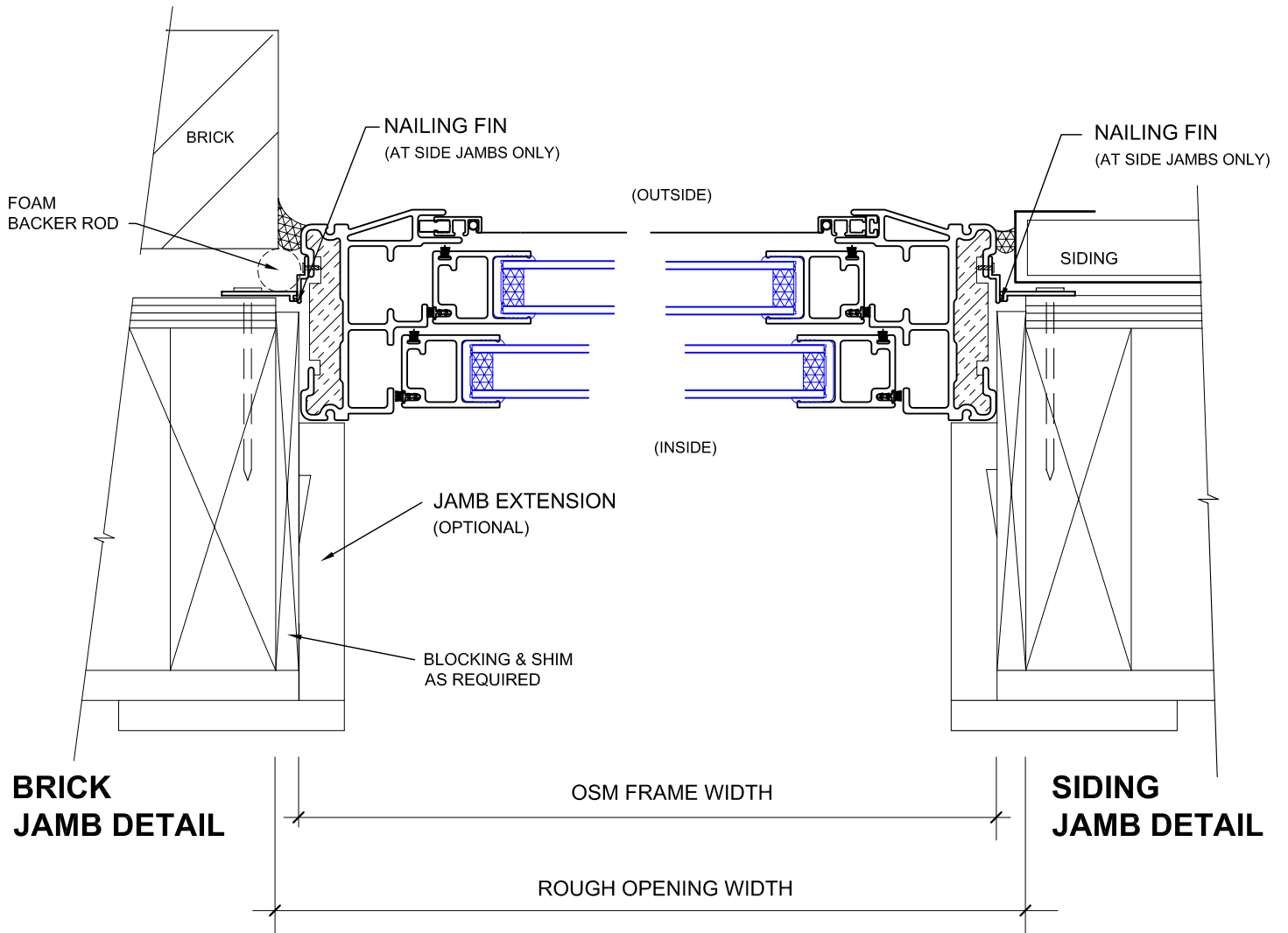


**DOUBLE HUNG TILT**

Exterior View



**HEAD  
DETAIL**



**BRICK  
JAMB DETAIL**

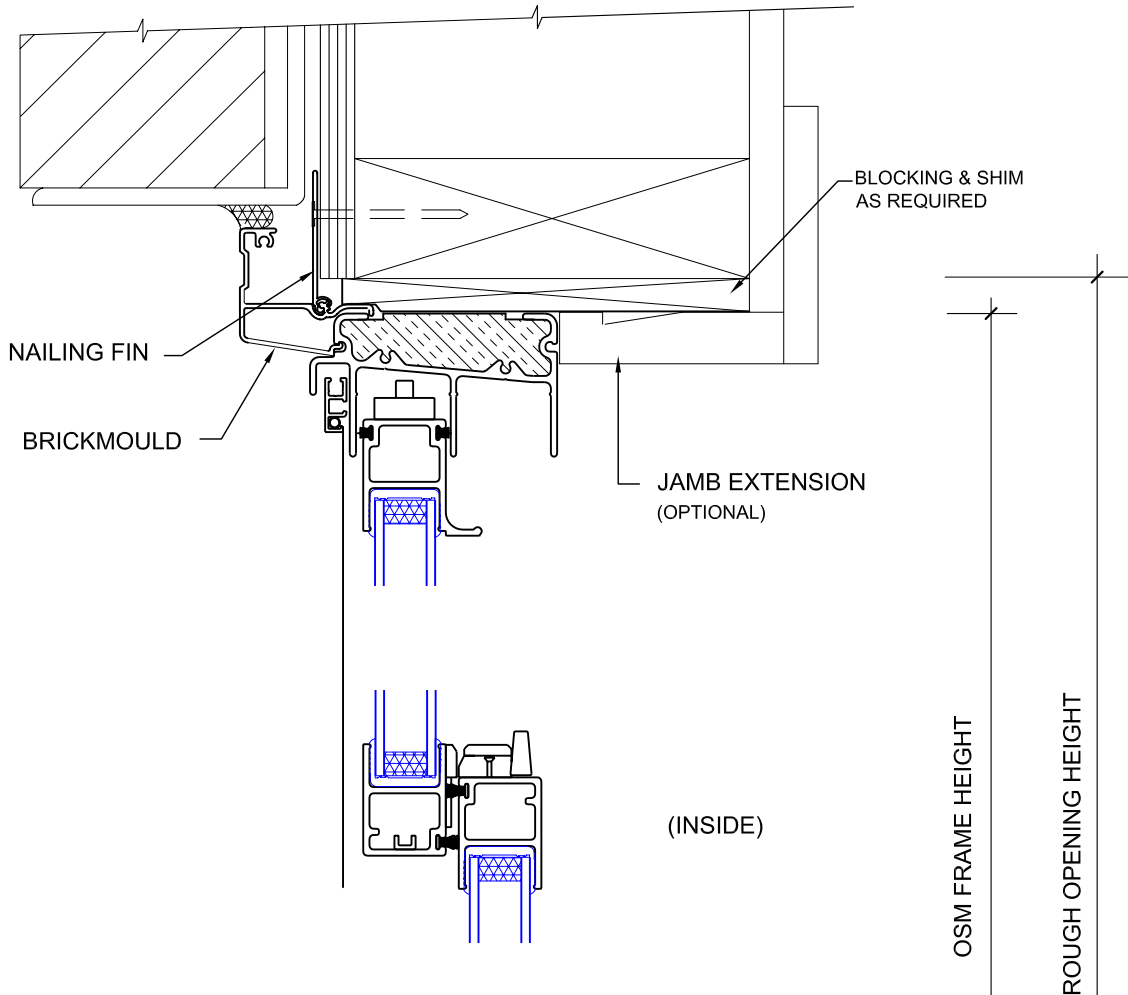
OSM FRAME WIDTH

**SIDING  
JAMB DETAIL**

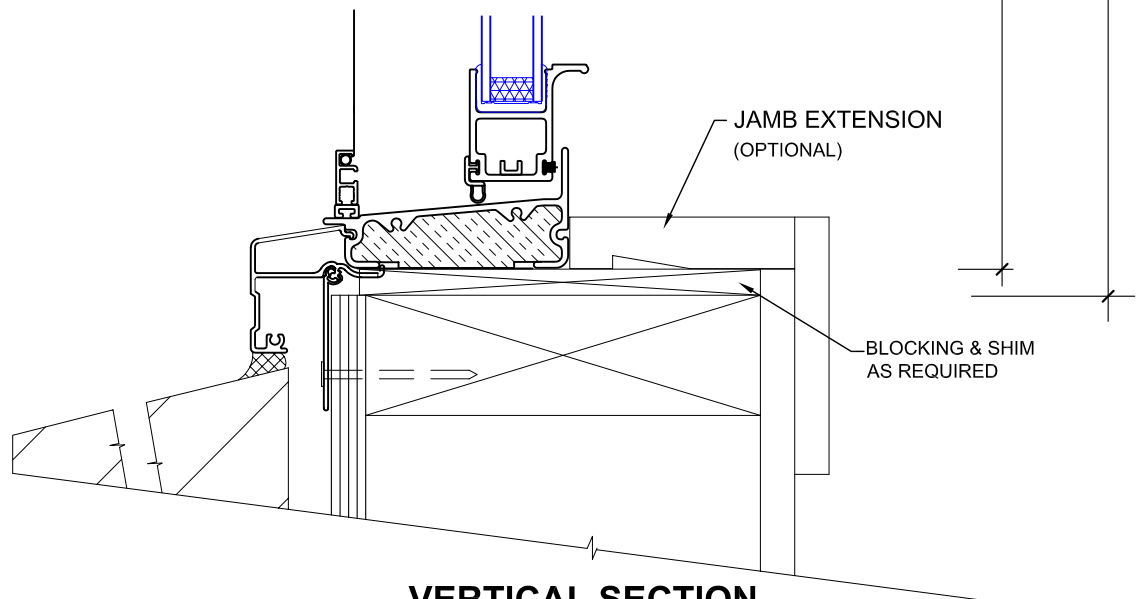
ROUGH OPENING WIDTH

**SECTION A-A**

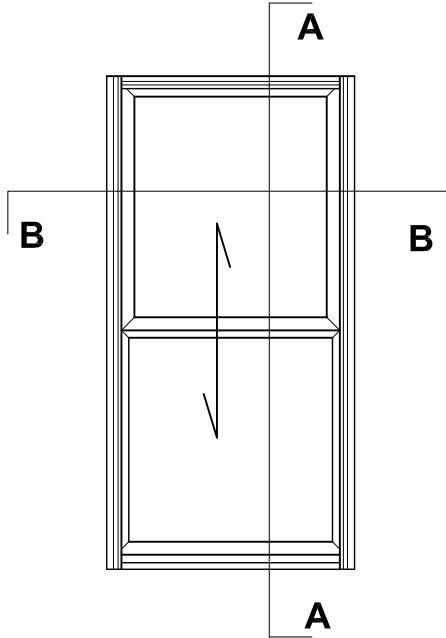
HEAD  
DETAIL



SILL  
DETAIL



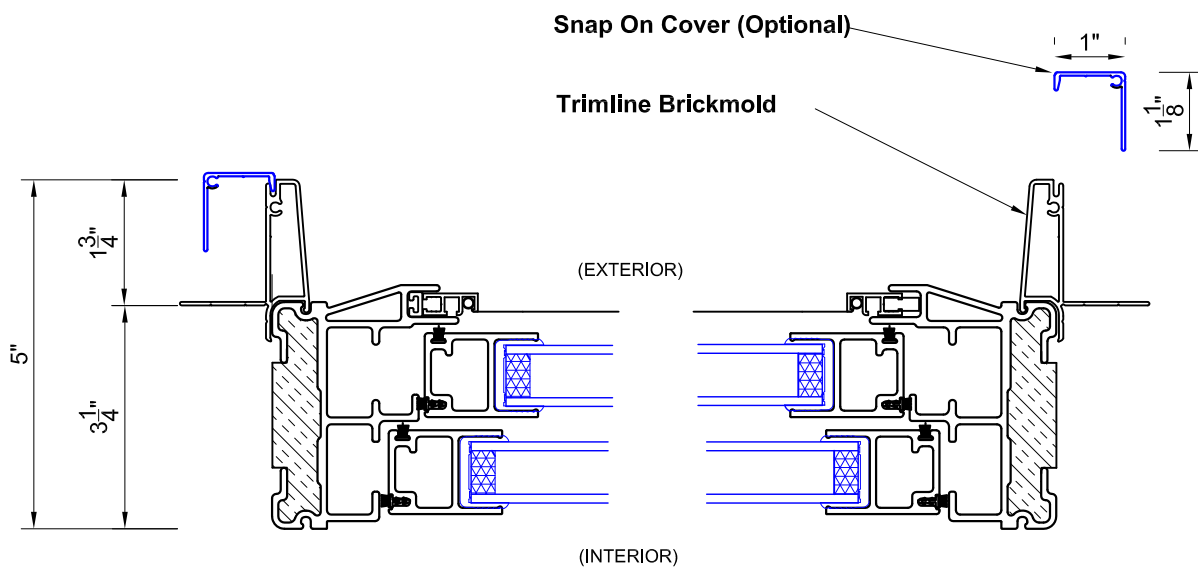
**VERTICAL SECTION  
400 DHT**



**NOTE THAT:  
 THE TRIM LINE BRICKMOLD IS APPLIED  
 ON ALL FOUR SIDES OF THE WINDOW(S)**

**DOUBLE HUNG TILT**

Exterior View



**JAMB DETAIL**

**SECTION B-B**