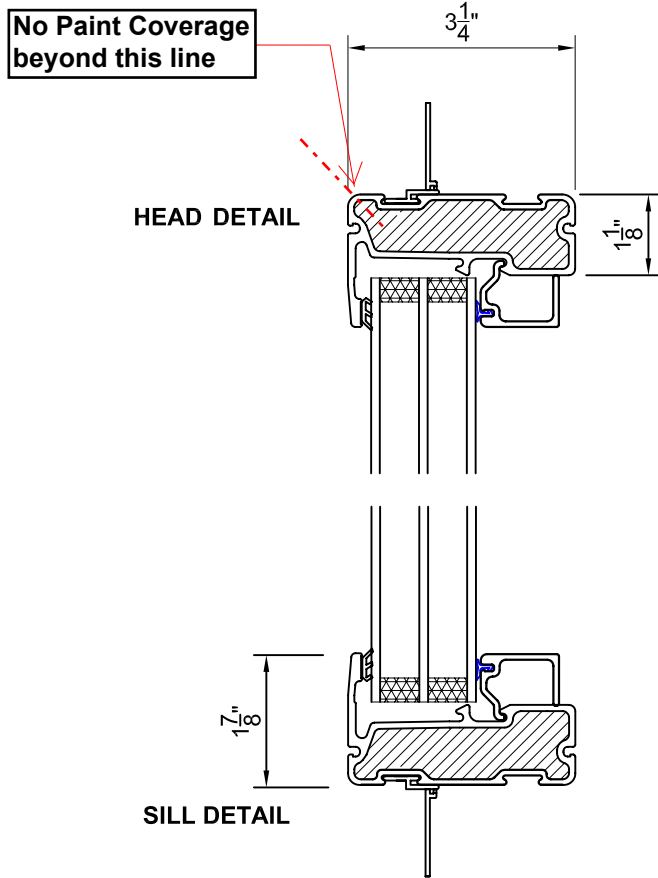


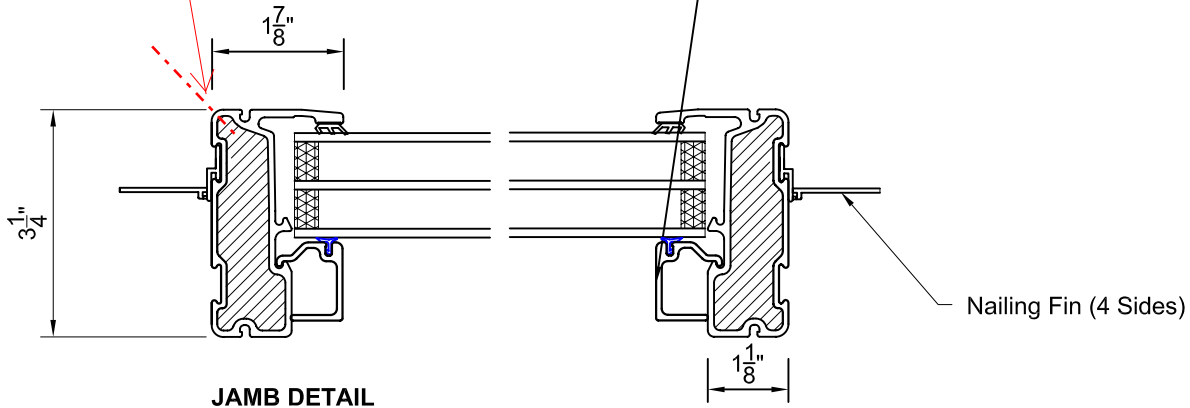
FIXED WINDOW
Front View



SECTION A-A

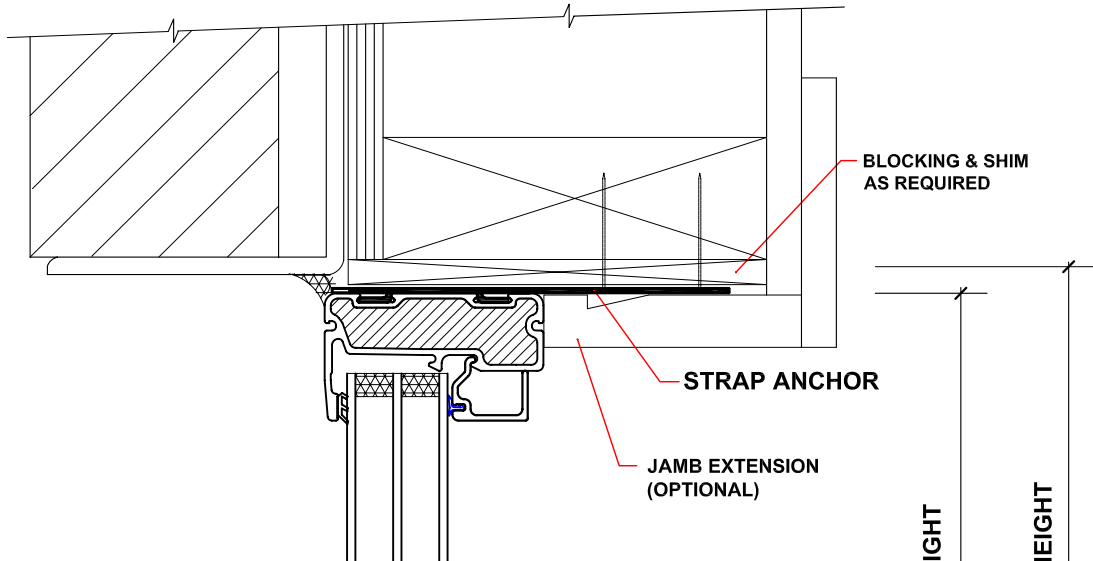
NOTE: OPTIONAL FIBERGLASS GLASS STOP SHOWN ON FIXED WINDOW. STANDARD IS PVC.

No Paint Coverage beyond this line

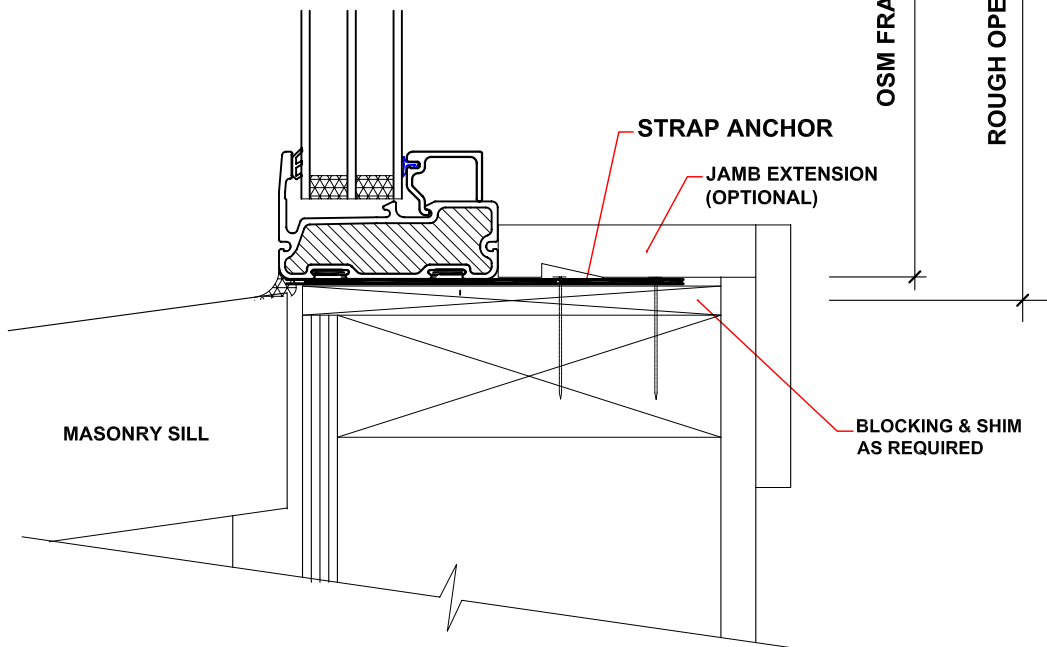


SECTION B-B

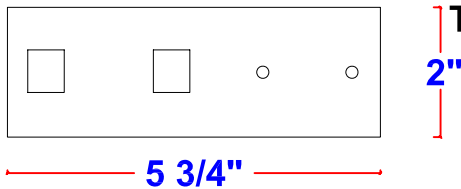
**HEAD
DETAIL**



**SILL
DETAIL**

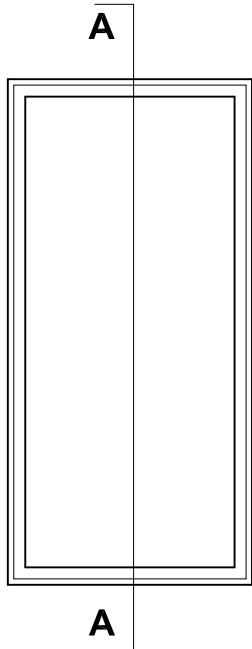
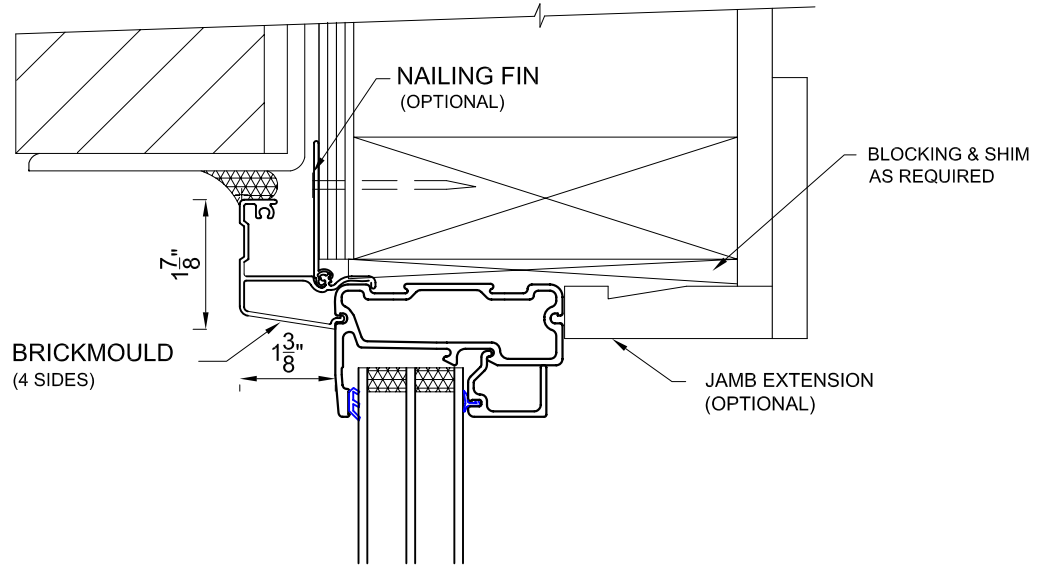


**VERTICAL SECTION
THRO' CASEMENT**



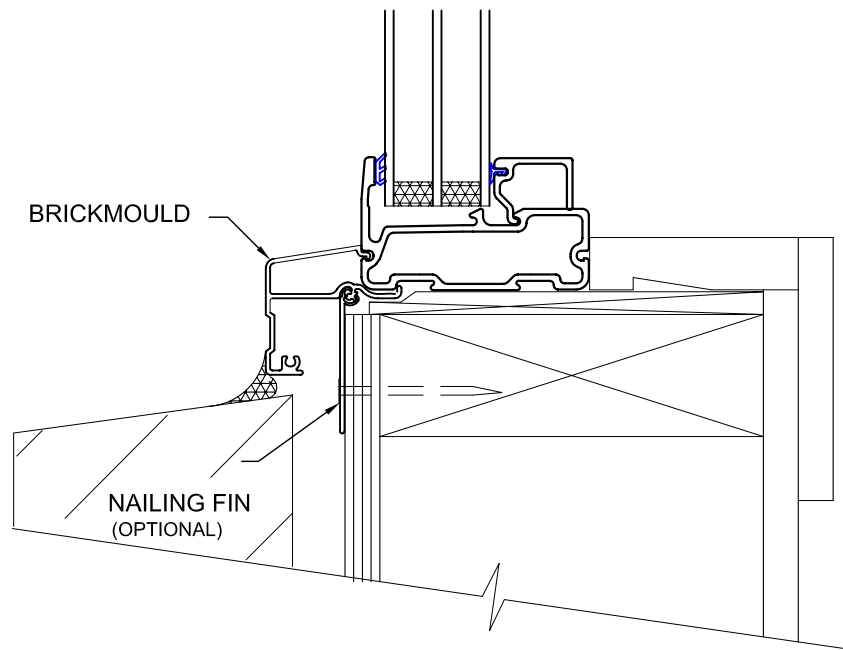
PLAN - STRAP ANCHOR

**HEAD
DETAIL**



FIXED WINDOW
Exterior View

**SILL
DETAIL**



SECTION A-A

FIBERTEC™

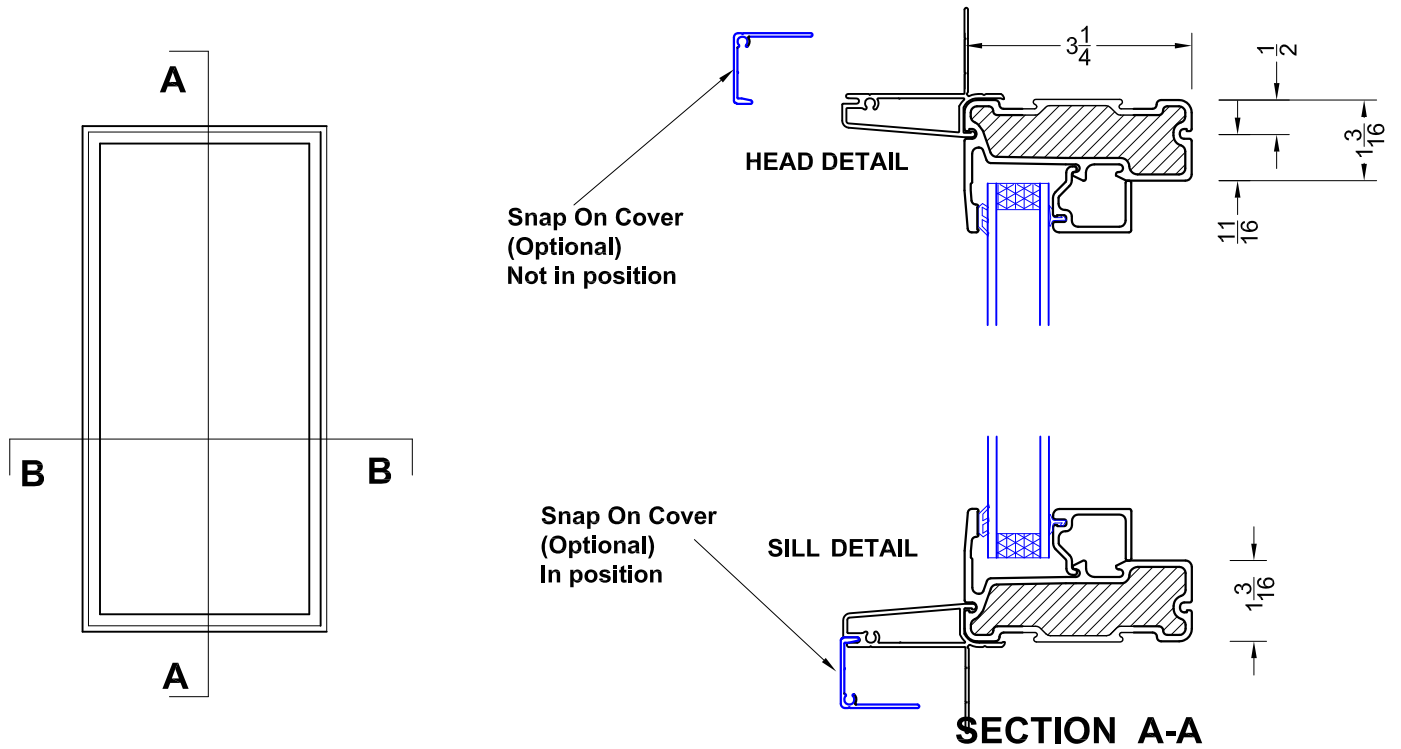
Window & Door Mfg.

FIBERGLASS WINDOW SYSTEMS

300 SERIES

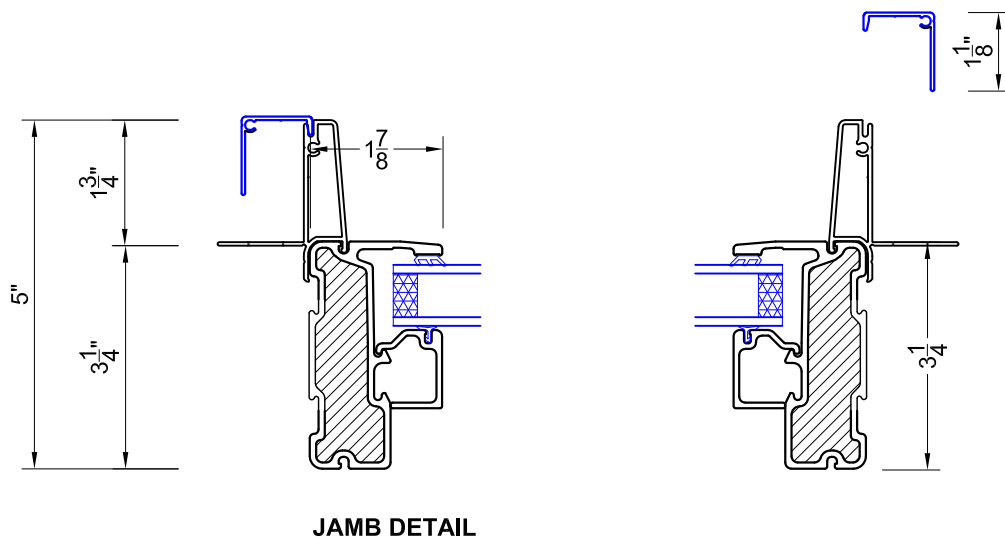
DOUBLE FIX

SECTION DETAILS



FIXED WINDOWS

Exterior View



SECTION B-B

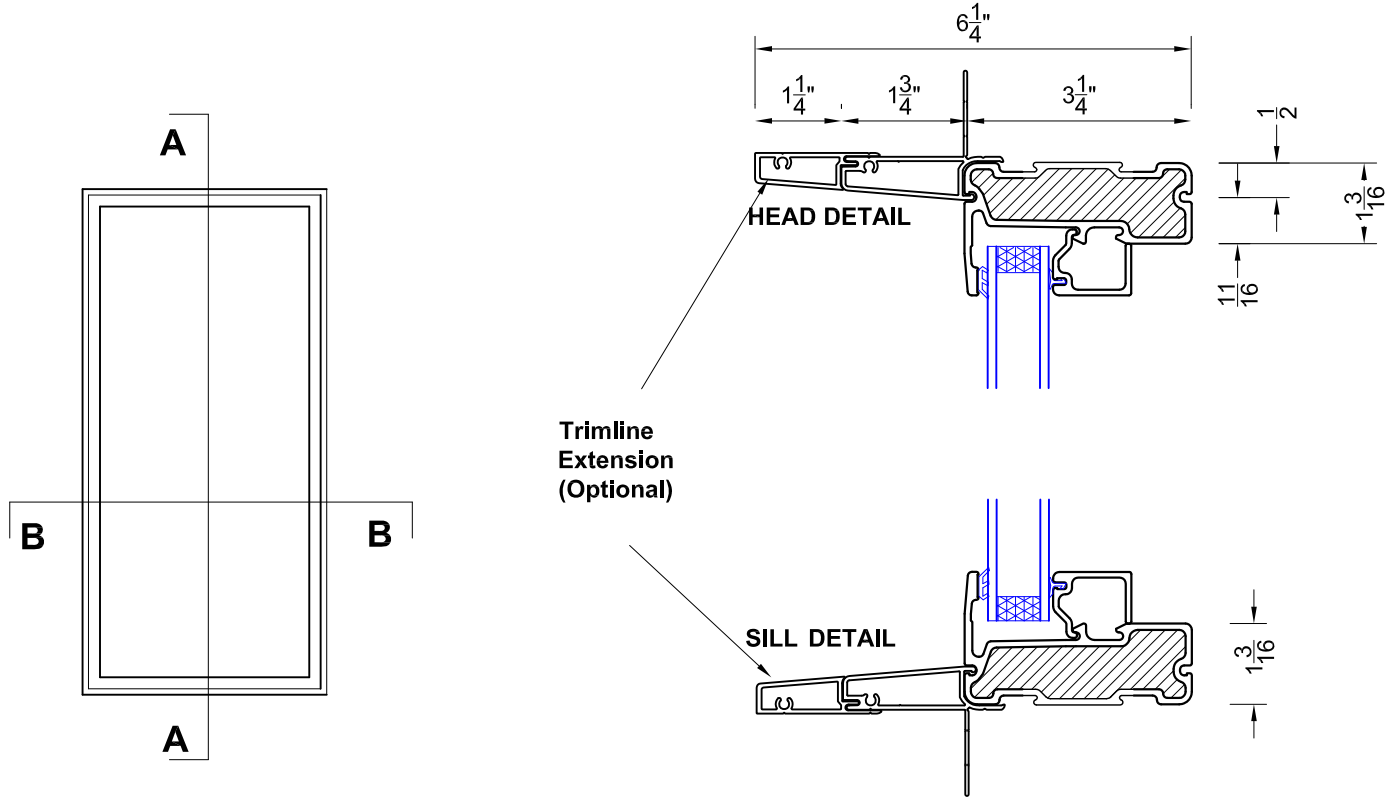
FIBERTEC™

Window & Door Mfg.

FIBERGLASS WINDOW SYSTEMS

300 SERIES

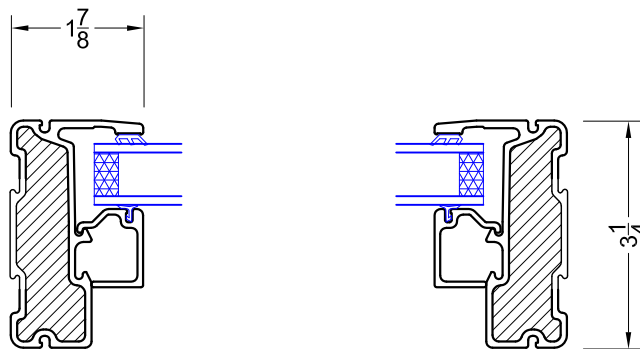
DOUBLE FIX
SECTION DETAILS



FIXED WINDOWS

Exterior View

SECTION A-A



JAMB DETAIL

SECTION B-B