

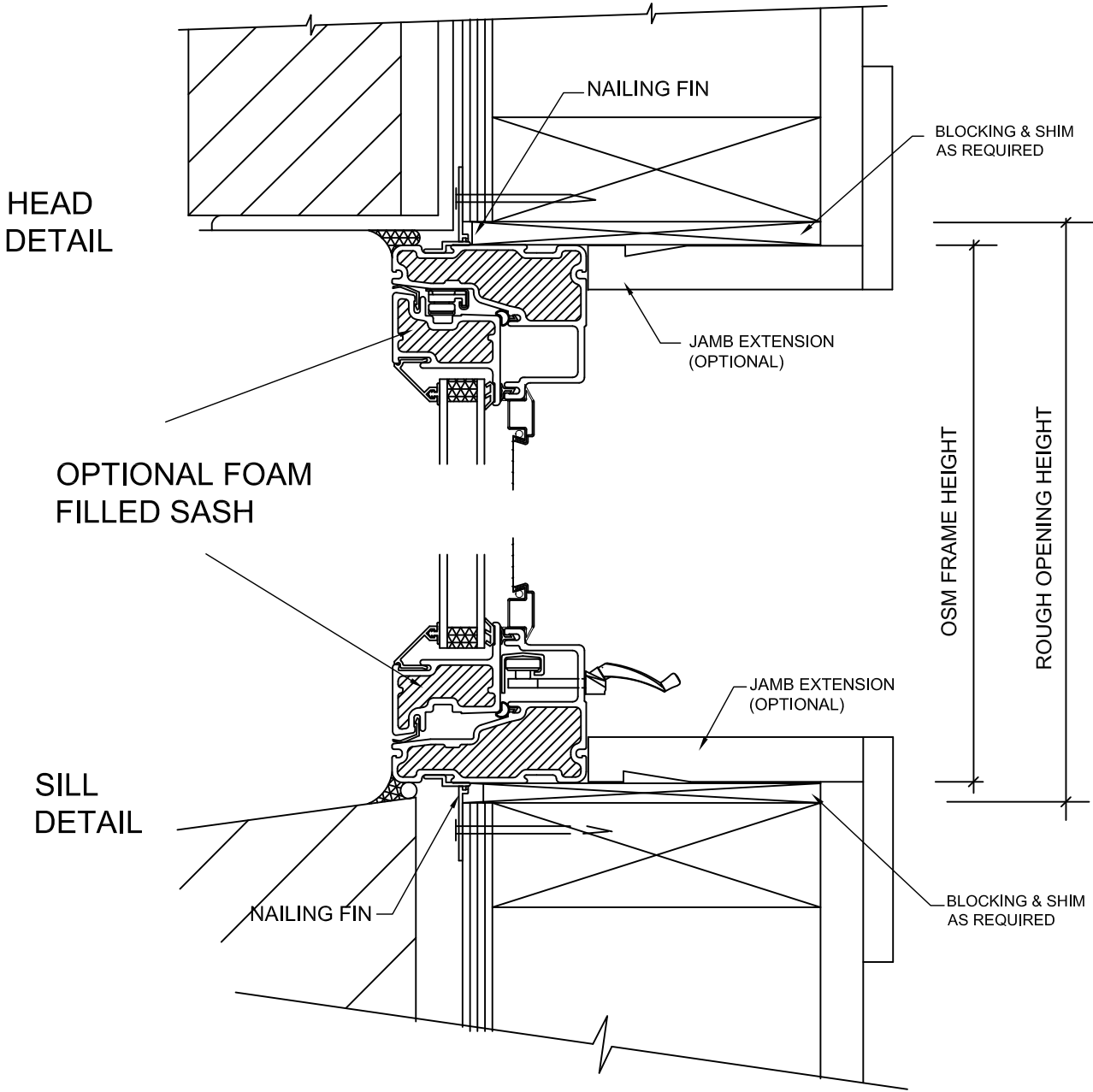
FIBERTEC™

Window & Door Mfg.

FIBERGLASS WINDOW SYSTEMS

300 SERIES

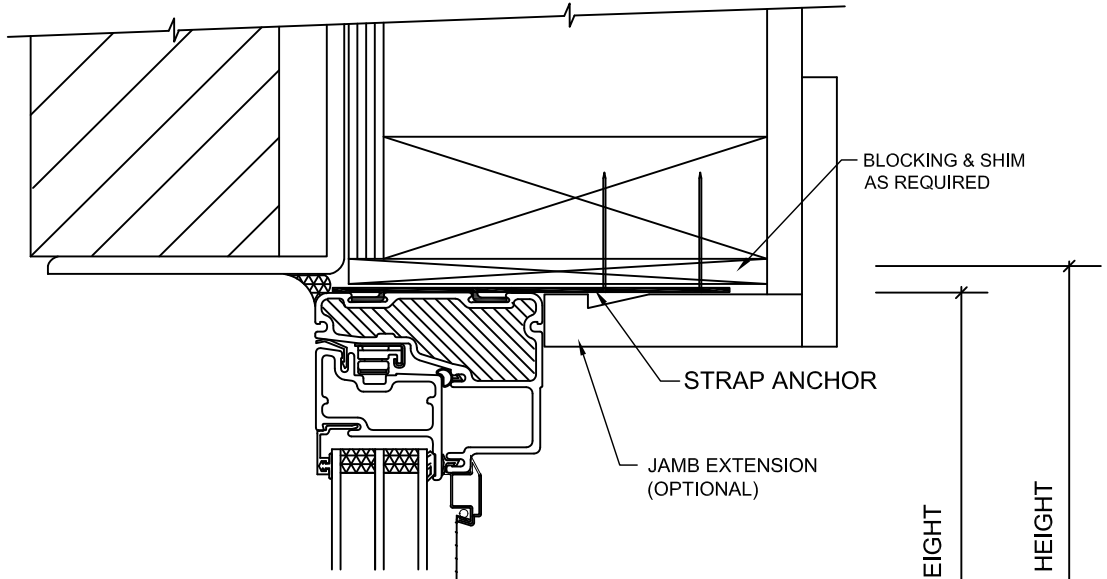
**ATTACHMENT OPTIONS:-
NAILING FIN**



**VERTICAL SECTION
THRO' CASEMENT**

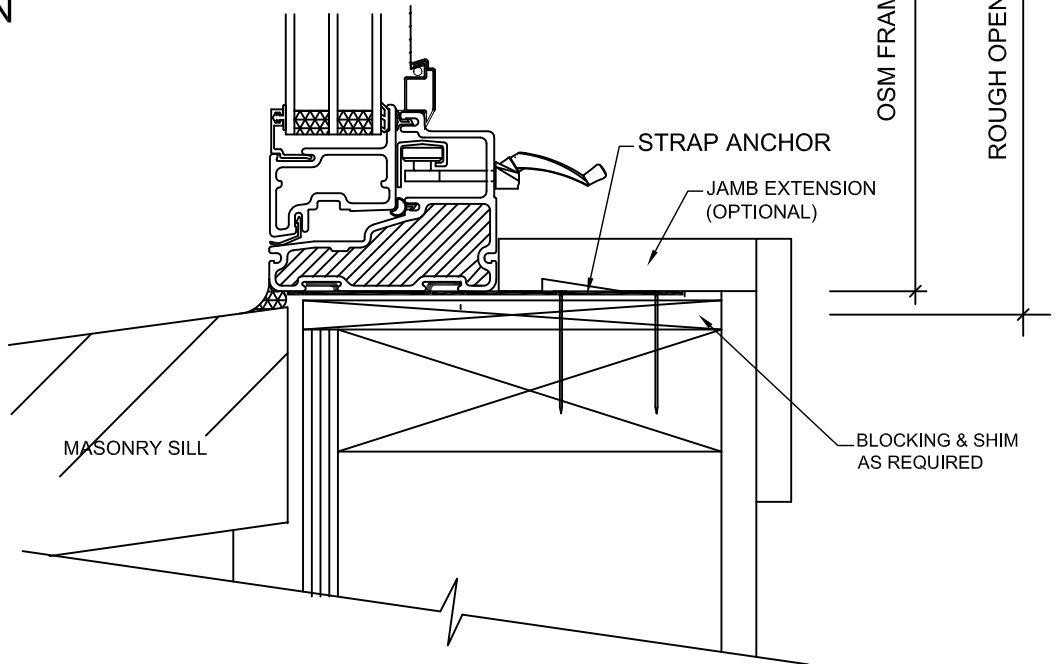
**NOTE:
USE LOW EXPANSION
FOAM TO INSULATE GAP
BETWEEN ROUGH
OPENING AND FRAME.**

HEAD
DETAIL

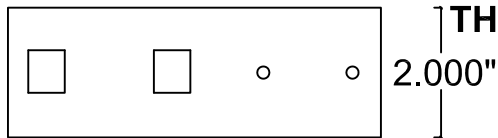


TYPICAL STRAP ANCHOR
INSTALLATION

SILL
DETAIL



**VERTICAL SECTION
THRO' CASEMENT**



5.750"

PLAN - STRAP ANCHOR

FIBERTEC™

Window & Door Mfg.

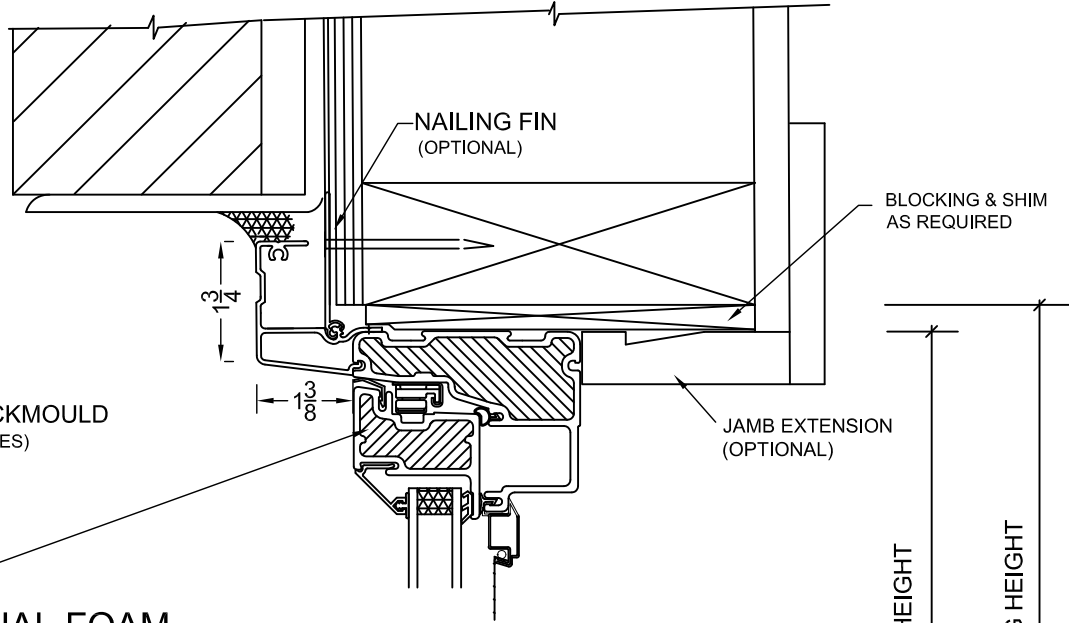
FIBERGLASS WINDOW SYSTEMS

300 SERIES

ATTACHMENT OPTIONS:-

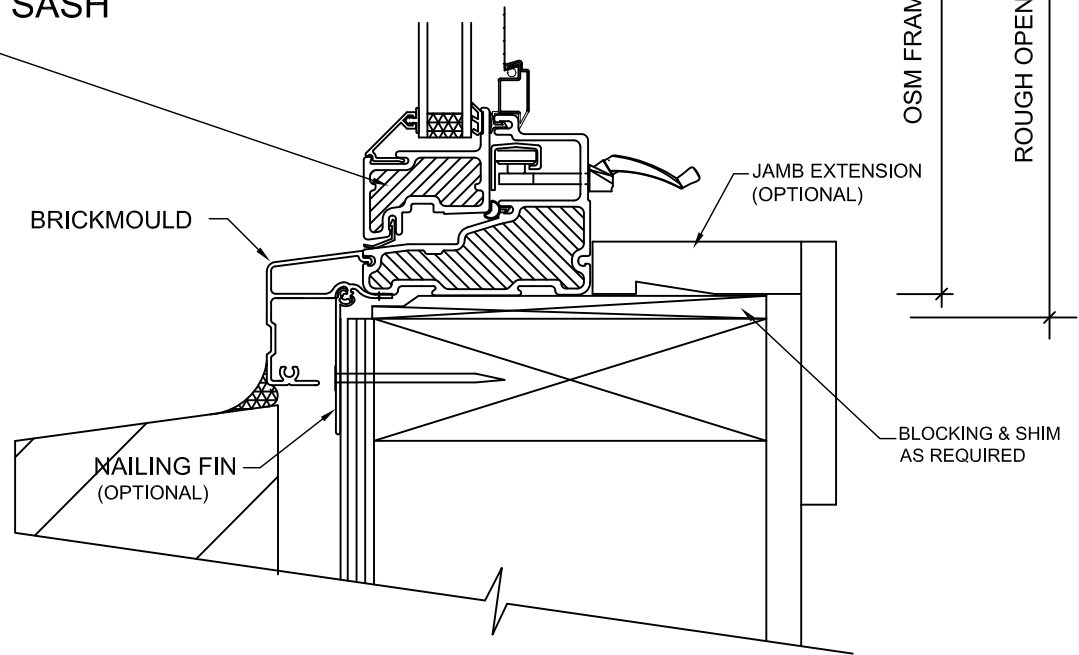
BRICKMOULD WITH NAILING FIN

HEAD
DETAIL



OPTIONAL FOAM
FILLES SASH

SILL
DETAIL



**VERTICAL SECTION
THRO' CASEMENT**

FIBERTEC™

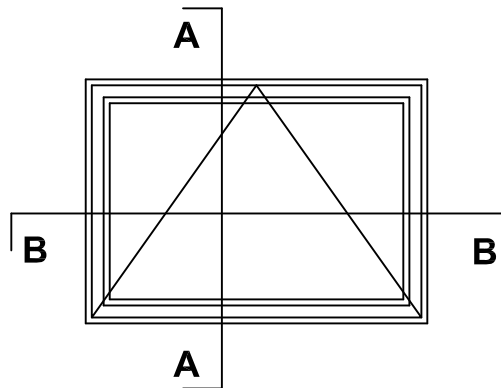
Window & Door Mfg.

FIBERGLASS WINDOW SYSTEMS

300 SERIES

AWNING WINDOW

With Trimline Brickmould



AWNING WINDOW

EXTERIOR VIEW
CLOSED BACK FRAME

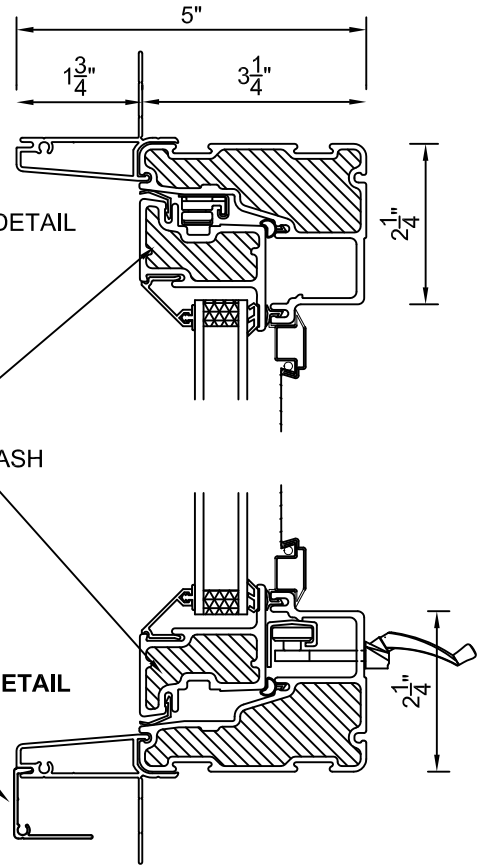
Snap On Cover
(Optional)
NOT In position

HEAD DETAIL

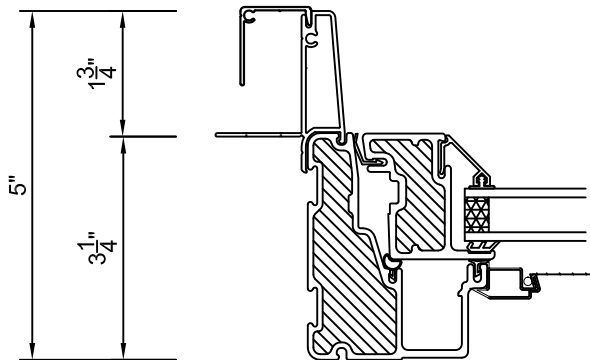
FOAM
FILLED SASH

Snap On Cover
(Optional)
In position

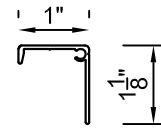
SILL DETAIL



SECTION A-A



JAMB DETAIL



SECTION B-B

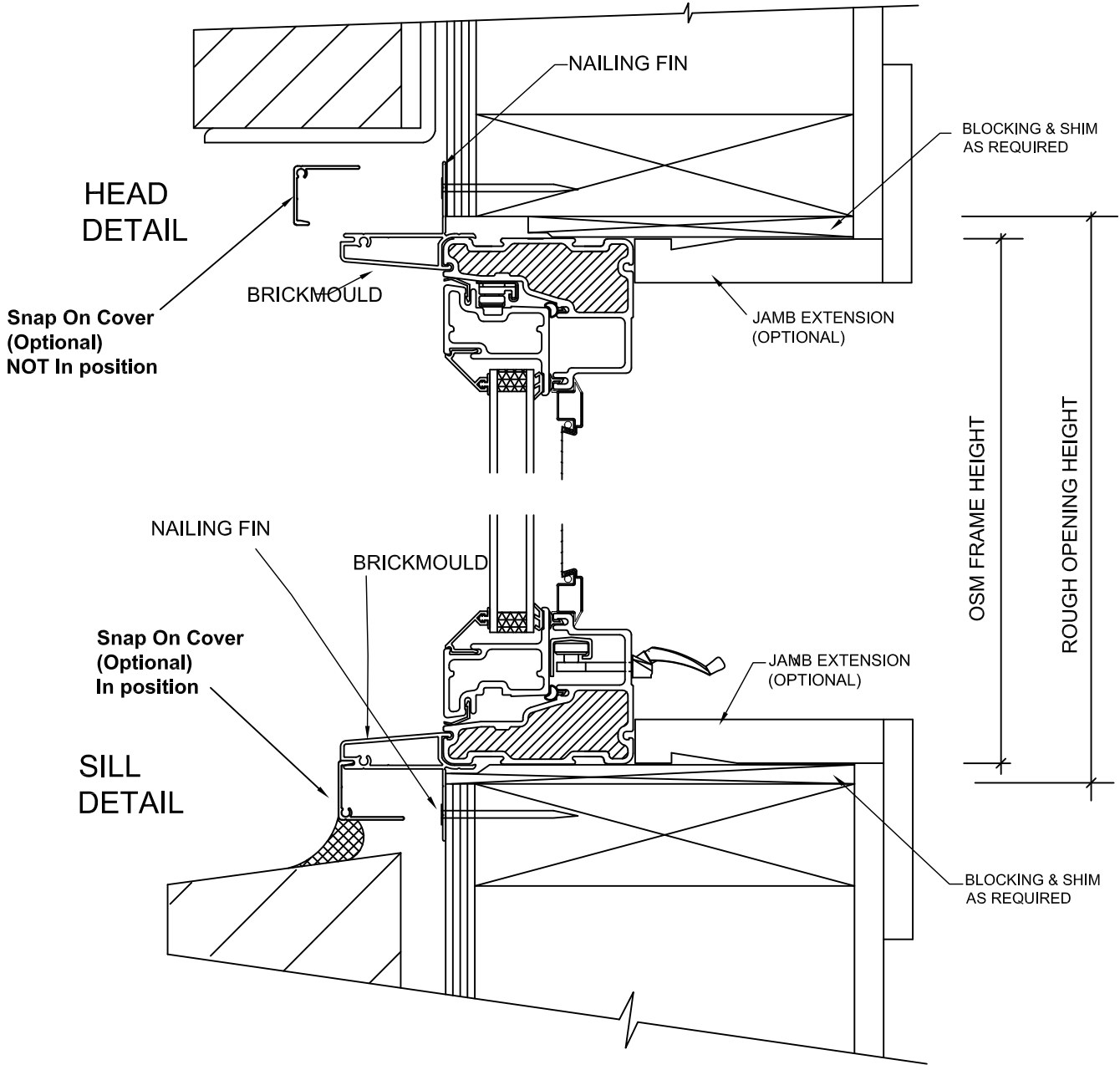
FIBERTEC™

Window & Door Mfg.

FIBERGLASS WINDOW SYSTEMS

300 SERIES

**TRIMLINE BRICKMOULD WITH
SNAP ON COVER**



**VERTICAL SECTION
THRO' CASEMENT**

FIBERTEC™

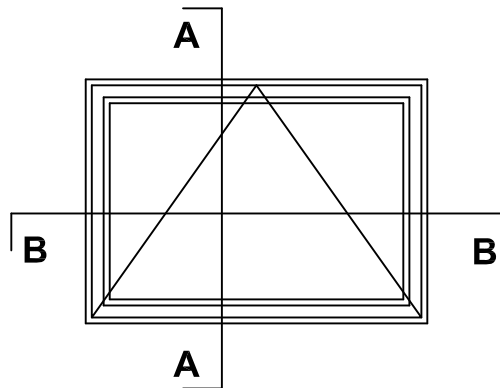
Window & Door Mfg.

FIBERGLASS WINDOW SYSTEMS

300 SERIES

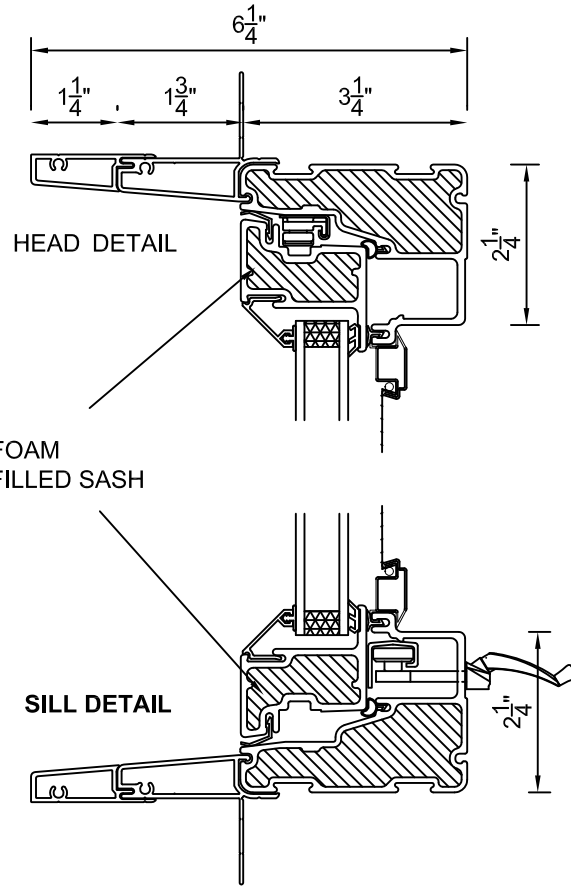
AWNING WINDOW

With Trimline Brickmould
and Trimline Extension

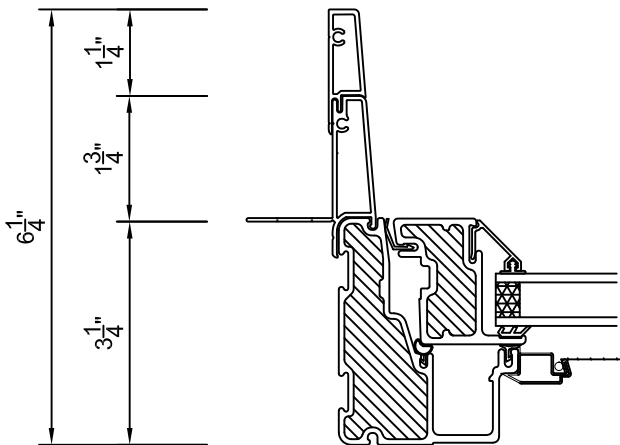


AWNING WINDOW

EXTERIOR VIEW
CLOSED BACK FRAME



SECTION A-A



JAMB DETAIL

SECTION B-B